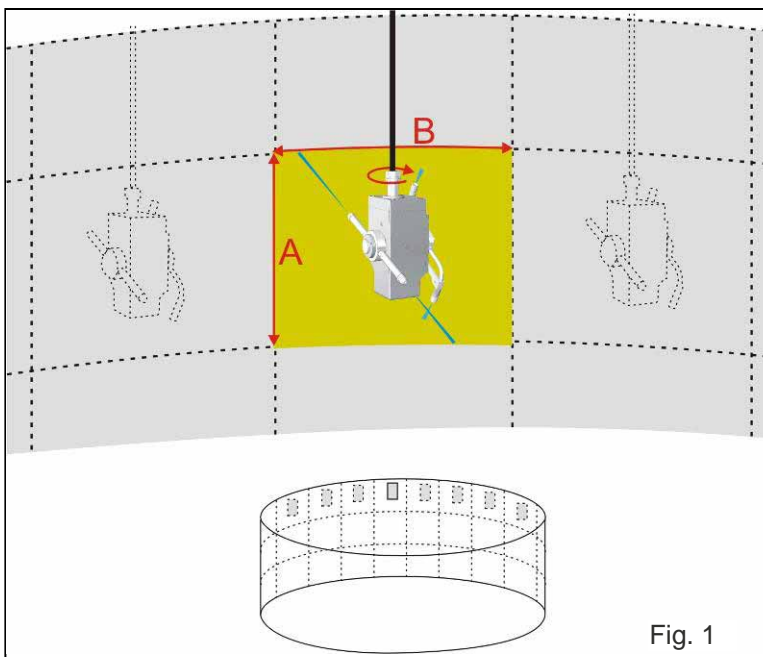


# AQUAMAT® SELECT – Tank cleaning head for large vessels

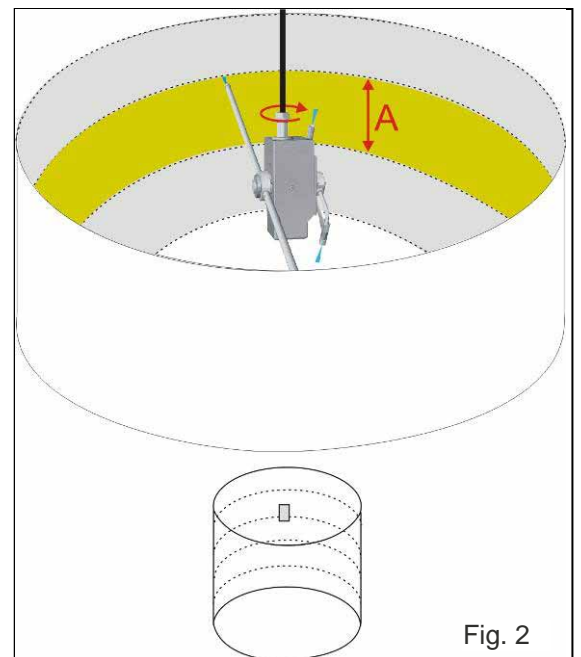


The nozzle movement of the Aquamat® Select is limited to concentrate on segments of the vessel rather than the usual 360° rotation. This greatly reduces the time needed to clean large vessels.

- 1a Long blasting arm, oscillating motion**
- 1b Short blasting arm, oscillating motion**
- 2 Drive arm, powered by the jet reaction force**



Very large diameter vessel



Large cylindrical vessel

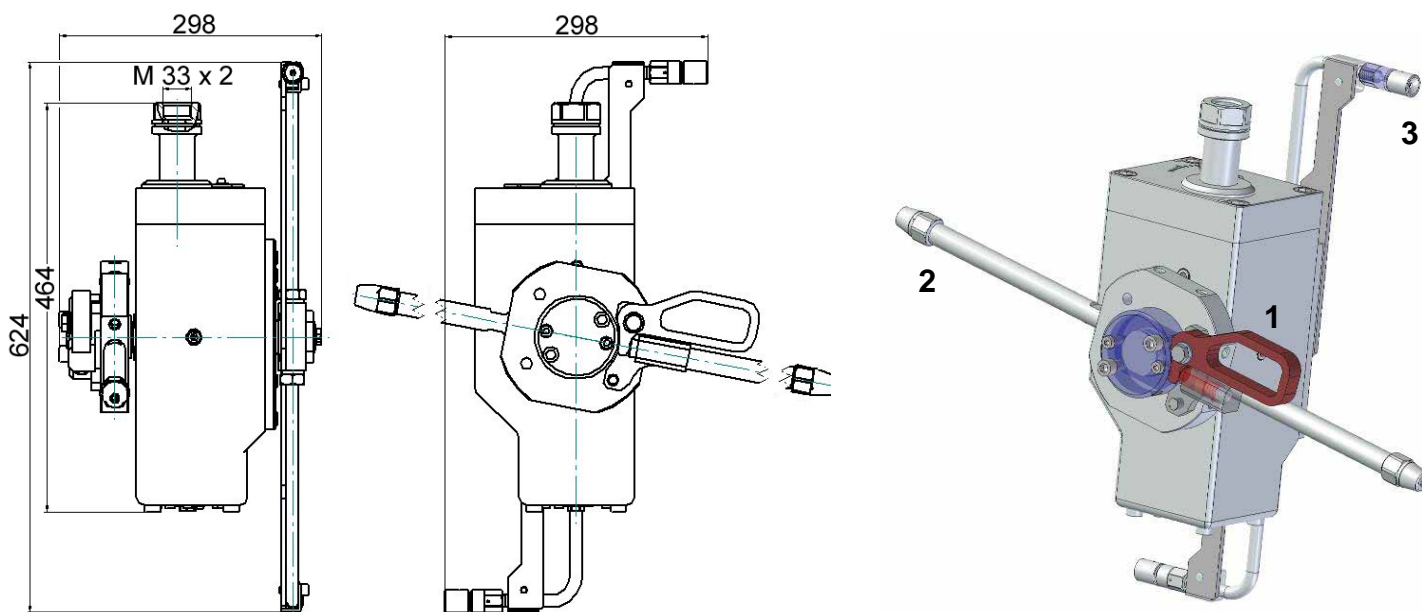
The cleaning time is reduced by an oscillating movement of the nozzle arm. The oscillation angle of the surface of the length (A) can be limited to 35° or 83°. The rotation around the vertical axis of the apparatus for the surface length (B) is preselected at 36° or 81°. When used in large containers (Fig. 1) the tank cleaning head is positioned on the vessel wall and cleans section by section.

In large cylindrical vessels (Fig. 2), the tank cleaning head is positioned centrally. The limits on the rotational motion around the vertical axis of the apparatus (B) are removed to enable the full 360°.

Other variants to enable changes in the cleaning position (vessel top, bottom) are possible.

The drive of the the Aquamat Select is provided by a second, reaction force powered nozzle arm. For the permanent rotation mode various nozzle insert diameters are used depending on the operating pressure. This allows the selection of the optimal power requirement for the drive.

# AQUAMAT® Select – Tank cleaning head for large vessels



- 1** Lever to unlock the blasting arm
- 2** Oscillating blasting arm
- 3** Drive arm

## Technical data

Flow rate	500 l/min.
Operating pressure:	1600 bar
Qty. of drive nozzles:	2 x Type „A“
Qty. of cleaning nozzles:	2 x Type „L“
Min. tank access:	300 mm
Material:	stainless steel
Weight:	71,5 kg
Connection thread:	M 33 x 2

Tank cleaning head	Code no.
TCH oscillating with blasting arm	<b>00.01329.0009</b>
TCH rotating with oscillating blasting arm	<b>00.01329.0010</b>

## Extensions for nozzle holder

Description	Code no.
Blasting arm 300 mm	<b>01.03559.0314</b>
500 mm	<b>01.03559.0315</b>
750 mm	
1000 mm	<b>01.03559.0330</b>
2000 mm	<b>01.03559.0332</b>
Connector, for joining the arm extensions (sealing by means gasket ring and sleeve)	<b>01.02785.0063</b>
Sleeve for the connector	<b>01.01750.0915</b>
Gasket ring	<b>04.00742.0035</b>

Special tool to install the:	Code no.
Magnet	<b>01.06224.0024</b>