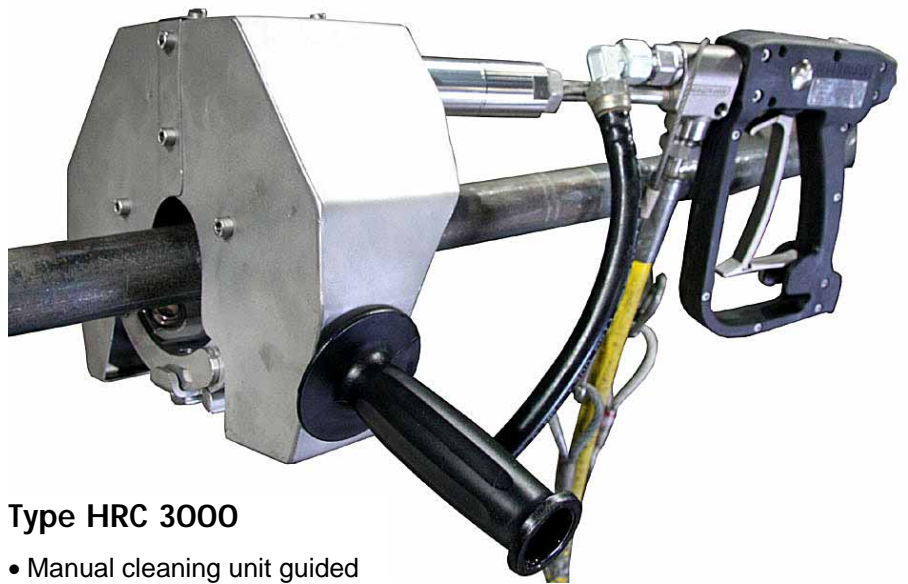


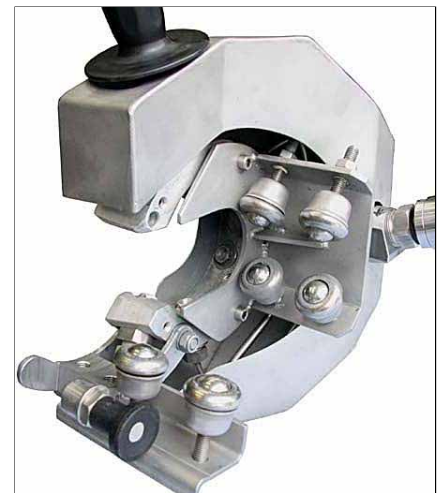
Handrail Cleaner

The "Handrail cleaner" has been especially developed for cleaning, rust removal and paint stripping operations on hand rails and pipes up to 50 mm diameter.



Type HRC 3000

- Manual cleaning unit guided along the pipe
- Housing made of aluminium and synthetic materials
- Parts subjected to high pressure are made of high strength corrosion resistant stainless steel
- A series of roller guides provide consistent standoff distance
- 6 fan jets for optimal all-round cleaning
- Special design for minimal weight



Technical data

- Suitable for pipes with outside diameters from 25 to 50 mm
- Operating pressure: max. 3000 bar
- Flow rate: max. 30 l/min
- 6 nozzle inserts Type „R“ Fan jet 20°, 30°, 45° applicable
- Weight: 6,5 kg
- Height: 242 mm
Width: 380 mm
incl. handgrip
Length: 560 mm



Typical applications

- Industrial site handrails
- Railings on ships and offshore platforms
- Bridge railings
- Self-supporting pipework

Code no. 00.06035.0475

10/11 © Copyright Hammelmann GmbH, Oelde, Germany. Subject to modification.

Hammelmann GmbH

Carl-Zeiss-Straße 6-8
59302 Oelde • Germany
mail@hammelmann.de

Telefon (0 25 22) 76-0
Telefax (0 25 22) 76-140
www.hammelmann.de

HAMMELMANN®