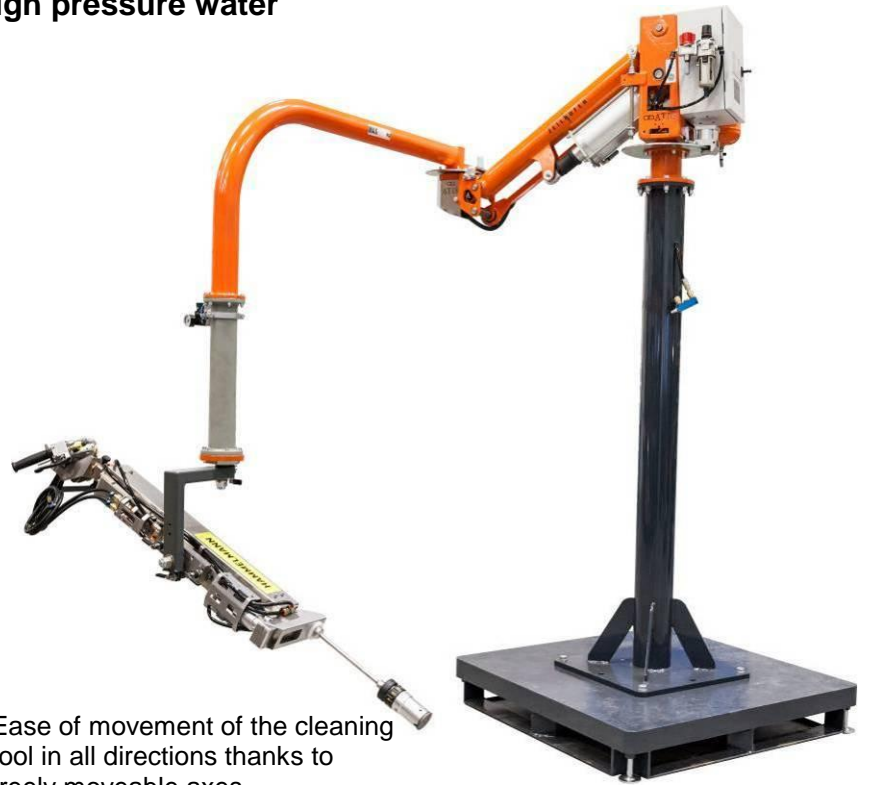


JETMATE

Safe and ergonomic work with high pressure water

Simple handling and increased safety at work, these are the demands in the modern working environment. To meet these requirements it is our policy to continuously develop our high pressure systems.

The JETMATE enables reaction force free working during the cleaning process, is easy to handle and provides increased safety.



- Ease of movement of the cleaning tool in all directions thanks to freely moveable axes
- Weight relief by pneumatic cylinder compensation of manipulator system
- Suitable for standard gun barrels
- Pneumatic deployment module to advance and retract during blasting
- Attachment flange to load bearing devices

The reaction forces (N) are absorbed into the ground by the holding device.



Manual blasting gun work

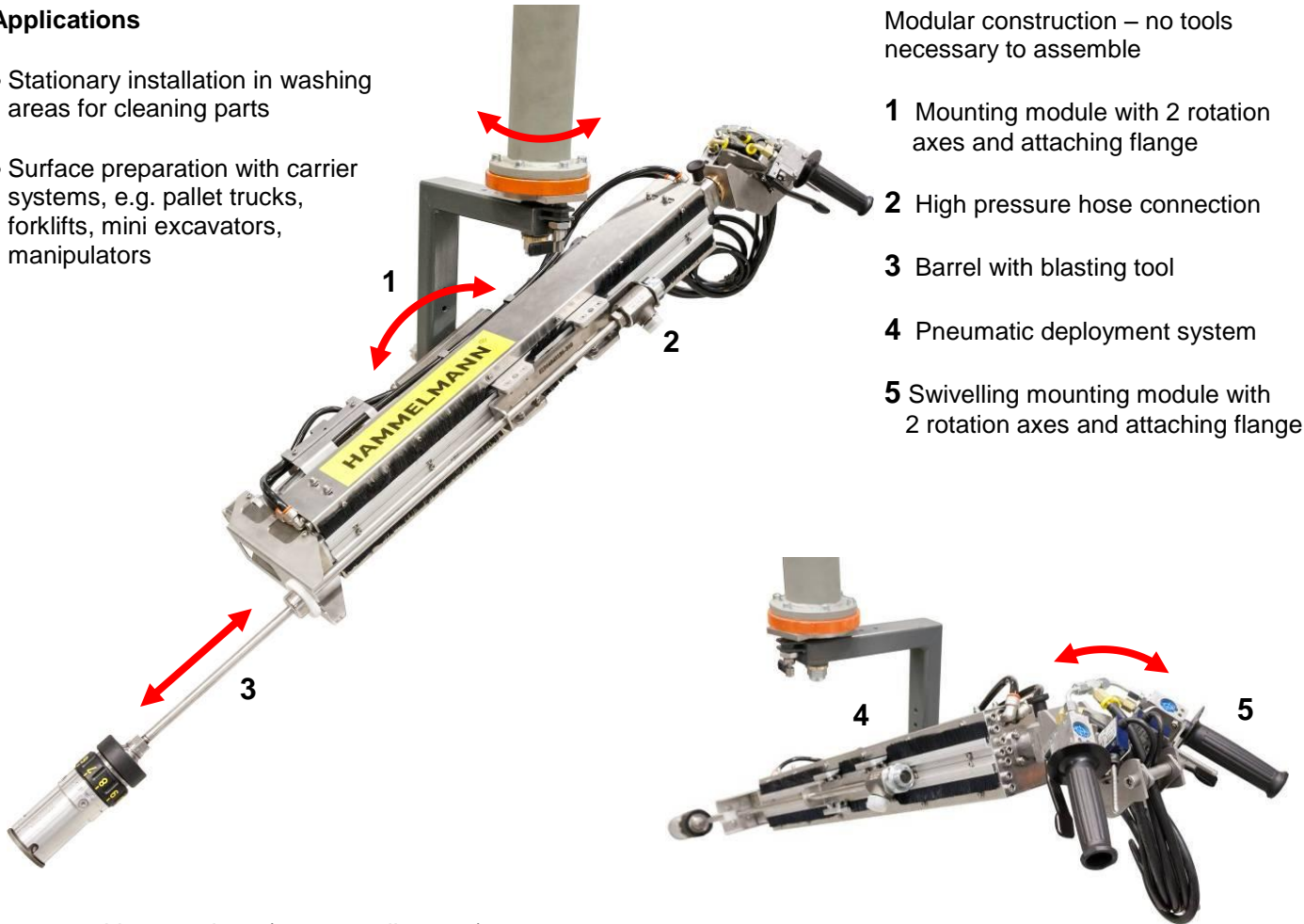


Reaction force free working with JETMATE

JETMATE

Applications

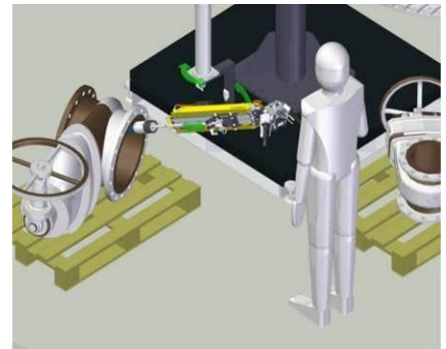
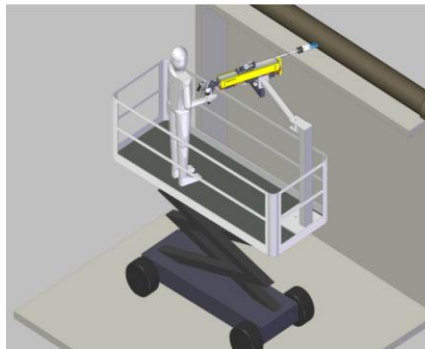
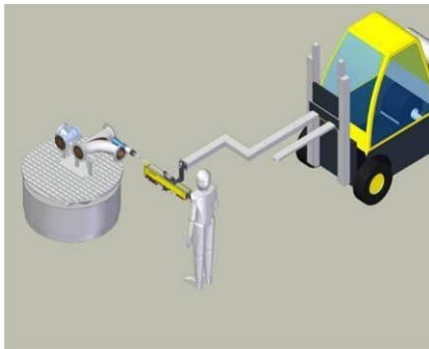
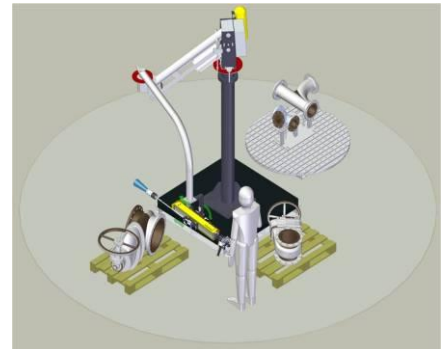
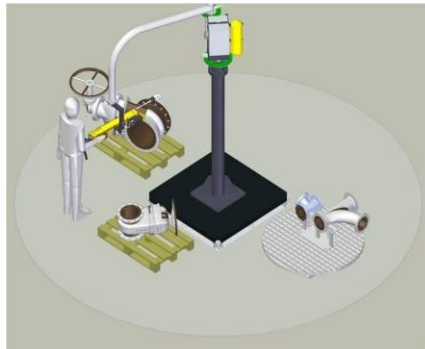
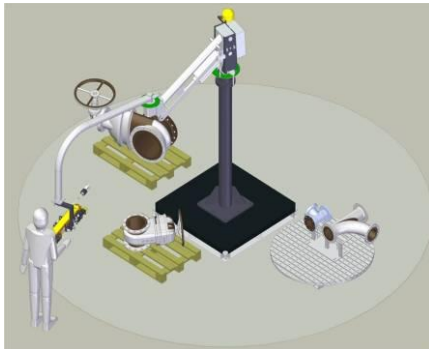
- Stationary installation in washing areas for cleaning parts
- Surface preparation with carrier systems, e.g. pallet trucks, forklifts, mini excavators, manipulators



Modular construction – no tools necessary to assemble

- 1 Mounting module with 2 rotation axes and attaching flange
- 2 High pressure hose connection
- 3 Barrel with blasting tool
- 4 Pneumatic deployment system
- 5 Swivelling mounting module with 2 rotation axes and attaching flange

Large working envelope (up to 8m diameter)



02/15 © Copyright Hammelman GmbH, Oelde, Germany. Subject to modification.

Hammelman GmbH

Carl-Zeiss-Straße 6-8
59302 Oelde • Germany
mail@hammelmann.de

Telefon (0 25 22) 76-0
Telefax (0 25 22) 76-140
www.hammelman.de

HAMMELMANN®