

# JETBOY

## Safe and ergonomic work with high pressure water

The JETBOY enables work almost without fatigue. This results in a noticeable increase in work rate.

Mechanical assistance for manual gun work on

- Ceilings, supports (bridges, multi storey car parks)
- Floor surfaces (removal of expansion joints and markings)
- Hard to reach areas for border preparation

## Overhead cleaning and removal operations



Manual blasting gun work

Reaction force free working with JETBOY device. The reaction force (N) is taken by the selected water tool holding device.

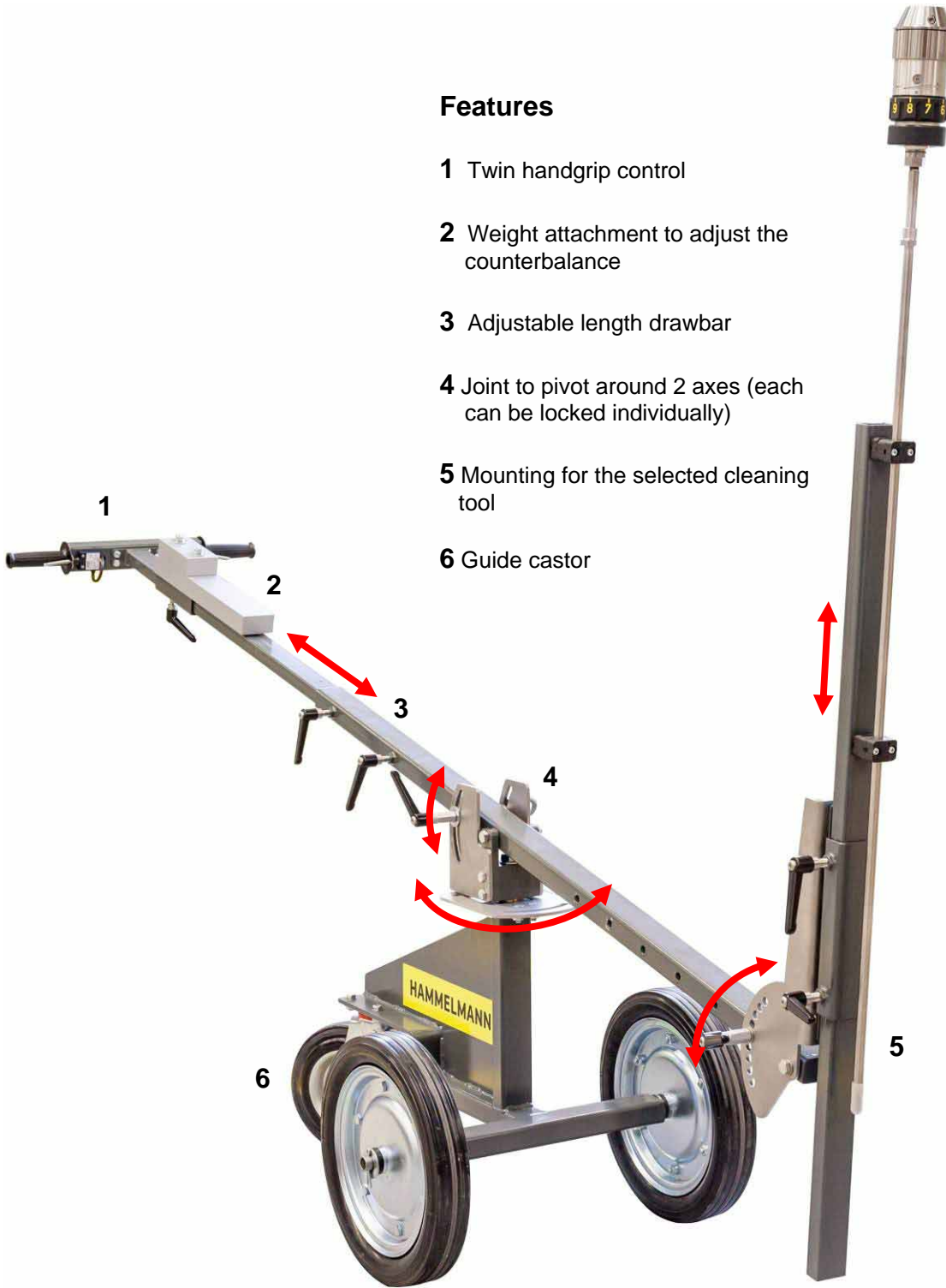


Cleaning and removal operations on the floor

# JETBOY

## Features

- 1 Twin handgrip control
- 2 Weight attachment to adjust the counterbalance
- 3 Adjustable length drawbar
- 4 Joint to pivot around 2 axes (each can be locked individually)
- 5 Mounting for the selected cleaning tool
- 6 Guide castor

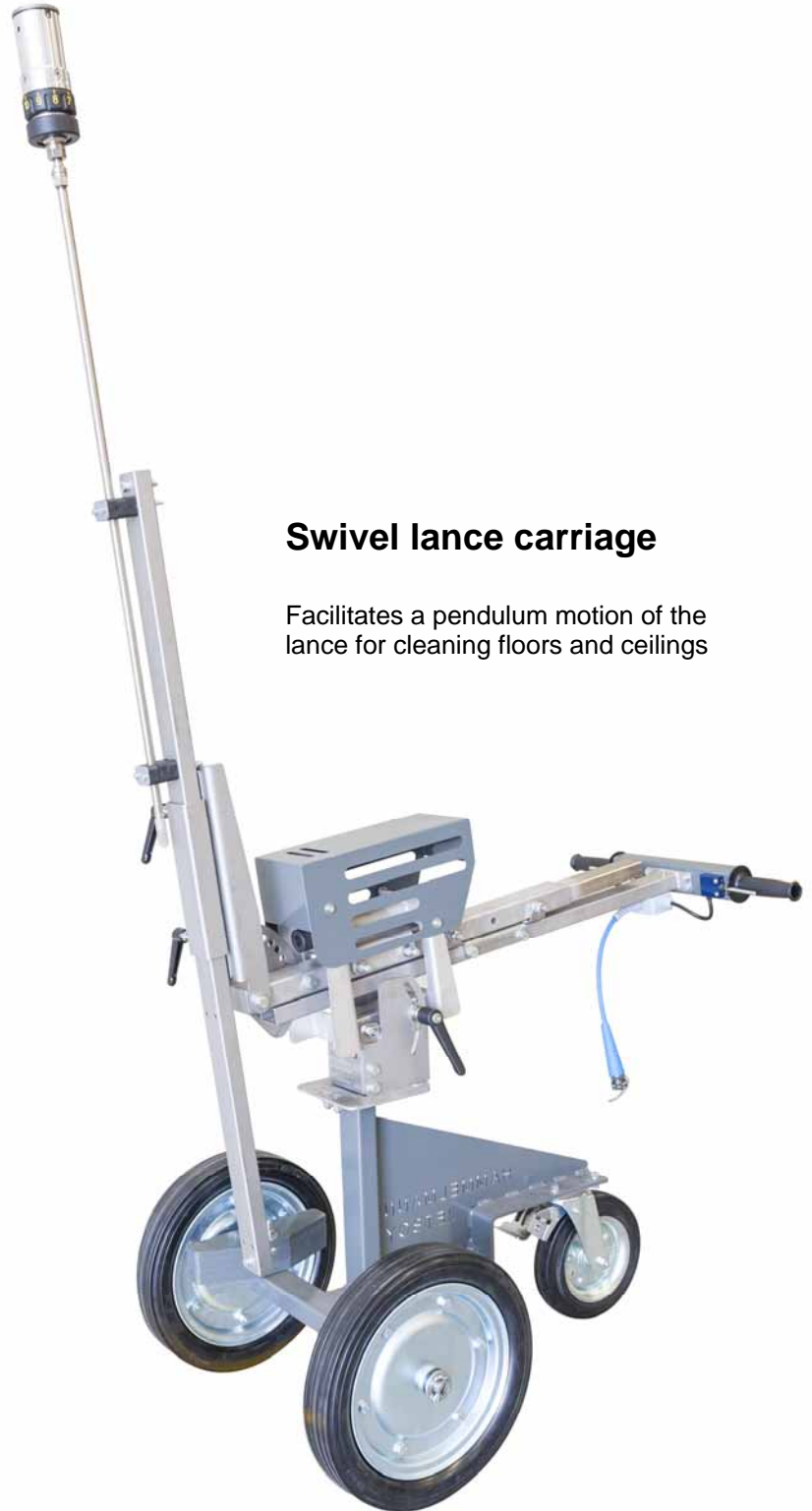


Picture of JETBOY with a cleaning tool selected for an application.

The lance and Rotorjet shown are not included in the JETBOY scope of supply.

# JETBOY

## Optional accessories



### Swivel lance carriage

Facilitates a pendulum motion of the lance for cleaning floors and ceilings

# JETBOY

## Optional accessories



### Aquablast

Working width: 215 – 500 mm  
Operating pressure: 3000 bar

## Standard accessories

- Rotor jets
- Round jets
- Fan jets
- High pressure lances