

HDP 45 Offshore injection pump

Hammelmann offer extremely compact fluid injection pump units for deployment on offshore platforms and FPSO's.



Recommendations and standards

Machine directive 2006/42/EC
ATEX 94/9/EC
API 674 (with exceptions)

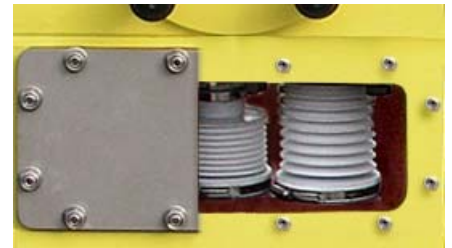
Other customer specified standards, i.e.

NORSOK M501
NORSOK M650
NACE MR 0175



TA-Luft (Clean Air) certified to VDI 2440

Emission free design specifically for explosive, poisonous and environmentally dangerous mediums.



The bellow system is gas tight.

Technology

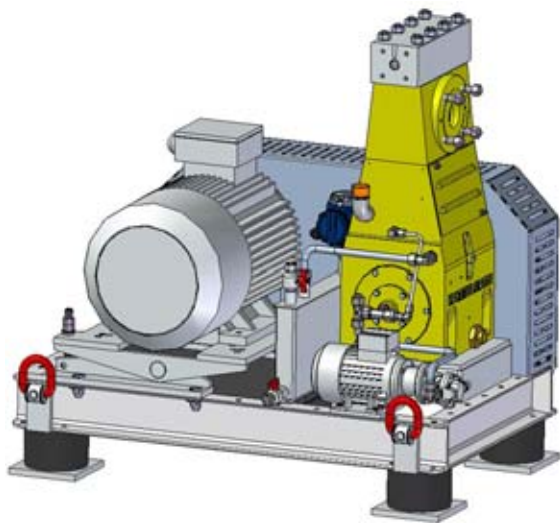
- Hermetically sealed pump
- Continuous monitoring of plunger seals
- Pressurised oil lubricated crank section
- Low pulsation due to triplex design
- High volumetric and mechanic efficiency
- Discharge connection M 48 x 2 female
- Suction connection DN65 PN16 acc. to DIN standard or 2 1/2" ANSI B16.5 #150 RF
- Other technical options available upon request

Performance data, HDP 45 with frequency converter (Selection)

Adjustable gear	5,000 psi	345 bar	10,000 psi	690 bar	15,000 psi	1035 bar
Plunger diameter	D 35		D 26		D 20	
Flow rate	10 gpm	40 l/min	5 gpm	20 l/min	3 gpm	12 l/min
Crank speed	500 rpm	500 rpm	500 rpm	500 rpm	500 rpm	500 rpm
Power rating	40 hp	30 kW	40 hp	30 kW	40 hp	30 kW
Motor speed	1750 rpm	1450 rpm	1750 rpm	1450 rpm	1750 rpm	1450 rpm
NPSHR *	43 ft	13 m	30 ft	9 m	23 ft	7 m

* NPSHR = Required feed height above vapour pressure

Flow rate regulation by external frequency converter



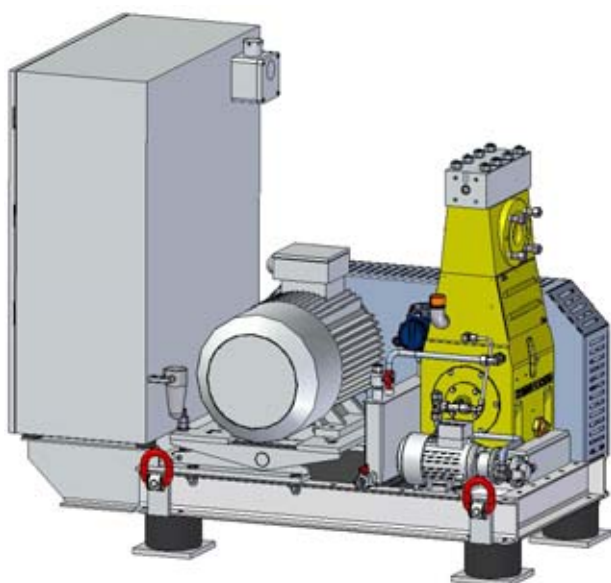
- Flow rate regulation via frequency converter
- Flow rate turndown ratio 1:10
- Operation with flooded suction possible

HDP 40 without control cabinet

Length: 1100 mm
Width: 815 mm
Height: 1100 mm
Weight: 570 kg
at 30 kW



Flow rate regulation by frequency converter at the pump base frame (Ex d)



HDP 40 with control cabinet

Length: 1485 mm
Width: 815 mm
Height: 1315 mm
Weight: 700 kg
at 30 kW

