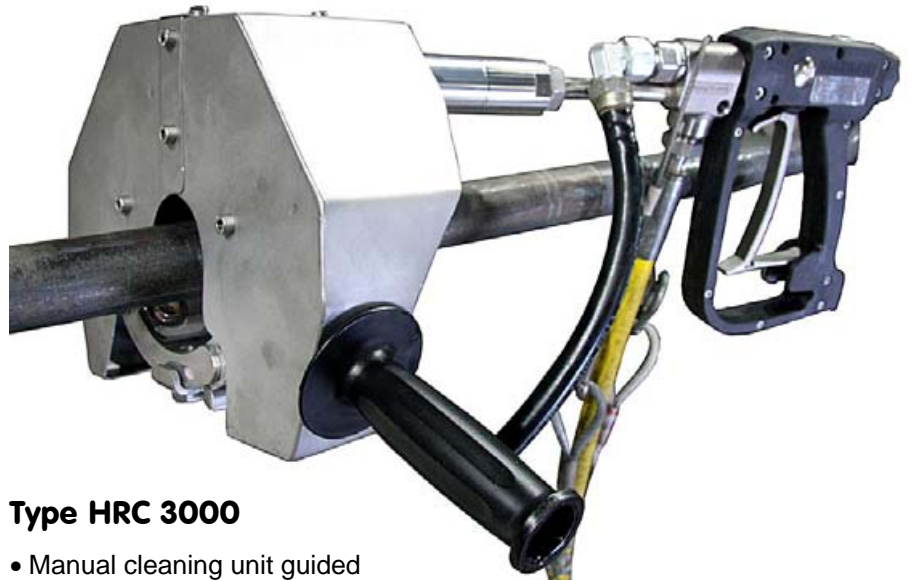


# Handrail Cleaner

The "Handrail cleaner" has been especially developed for cleaning, rust removal and paint stripping operations on hand rails and pipes up to 50 mm diameter.



## Type HRC 3000

- Manual cleaning unit guided along the pipe
- Housing made of aluminium and synthetic materials
- Parts subjected to high pressure are made of high strength corrosion resistant stainless steel
- A series of roller guides provide consistent standoff distance
- 6 fan jets for optimal all-round cleaning
- Special design for minimal weight



## Technical data

- Suitable for pipes with outside diameters from 25 to 50 mm
- Operating pressure: max. 3000 bar
- Flow rate: max. 30 l/min
- 6 nozzle inserts Type „R“ Fan jet 20°, 30°, 40° applicable
- Weight: 6,5 kg
- Height: 242 mm  
Width: 380 mm  
incl. handgrip  
Length: 560 mm



## Typical applications

- Industrial site handrails
- Railings on ships and offshore platforms
- Bridge railings
- Self-supporting pipework

Code no. 00.06035.0475

4/10 © Copyright Hammelmann Maschinenfabrik GmbH, Oelde, Germany. Subject to modification.

**Hammelmann**  
Maschinenfabrik GmbH

Postfach 3309 • D-59282 Oelde Telefon (0 25 22) 76-0  
Zum Sundern 13-21 • Germany Telefax (0 25 22) 76-444  
eMail: mail@hammelmann.de • Internet: www.hammelmann.de

**HAMMELMANN**<sup>®</sup>