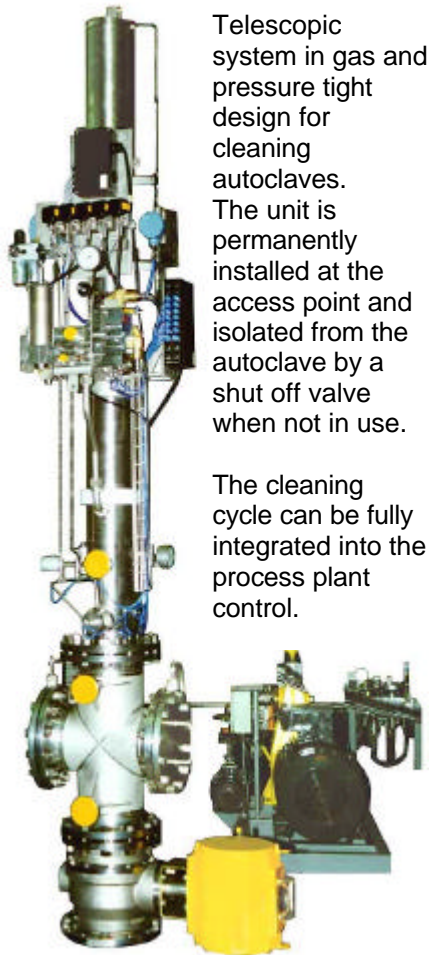


# Aquarex<sup>â</sup> Cleaning devices

For various differing tank and vessel designs Hammelmann can custom build special cleaning devices. Shown here are typical examples.



Telescopic system in gas and pressure tight design for cleaning autoclaves. The unit is permanently installed at the access point and isolated from the autoclave by a shut off valve when not in use.

The cleaning cycle can be fully integrated into the process plant control.

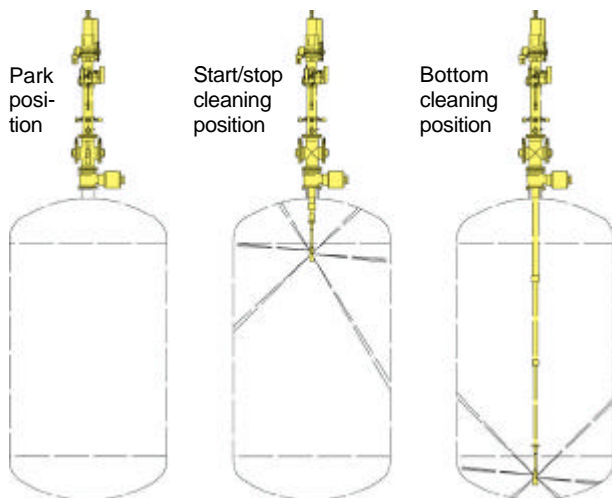


Lance system with integrated ball valve for permanent installation. The automatic tank cleaning head remains in the vessel during production.



Source: BASF

Hose reel system with park position housing. The sight glass can be opened without tools and facilitates the changing of nozzles, nozzle carriers or tank cleaning head.



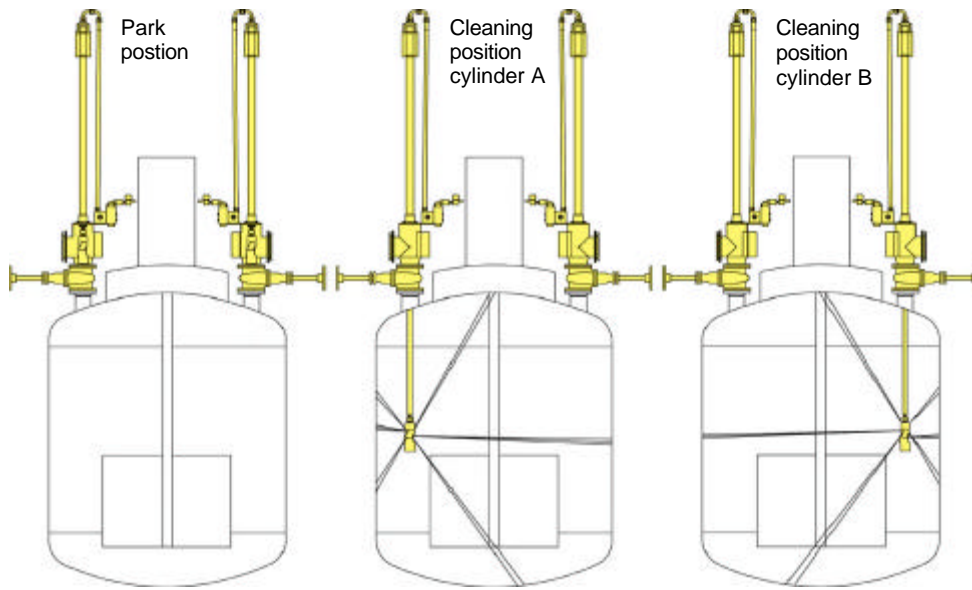
Gastight cleaning system with water driven telescope

Automatic pneumatic lance system



Extendable tilting lances

# Aquarex<sup>â</sup> Cleaning devices

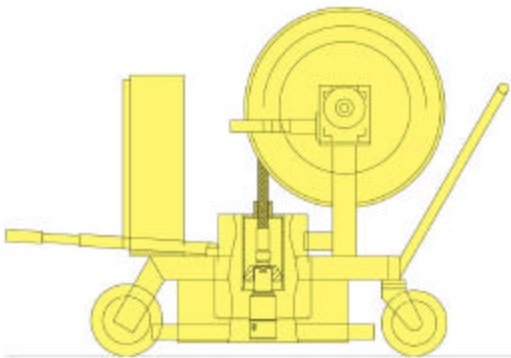


Gastight cleaning system with water/air driven lance

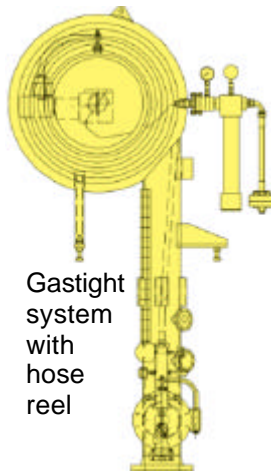


Source: BASF

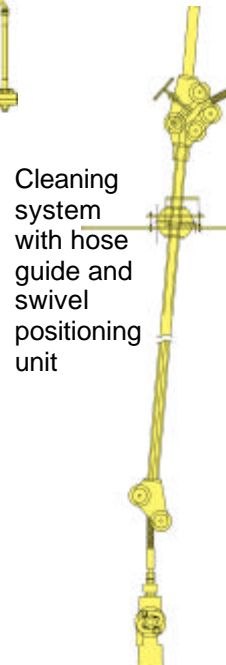
Gastight cleaning system with water/air driven lance



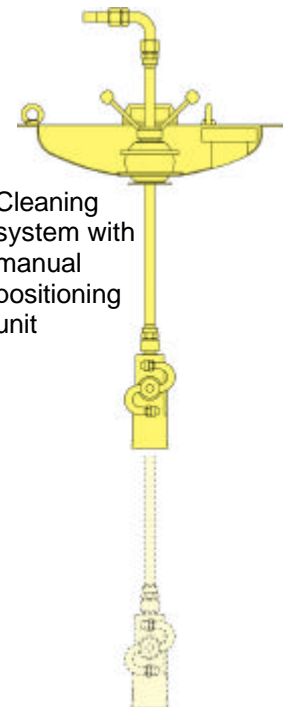
Mobile cleaning system for autoclaves and vertical pipes with pneumatic hose reel



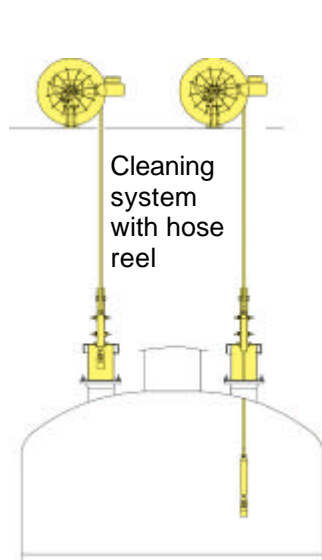
Gastight system with hose reel



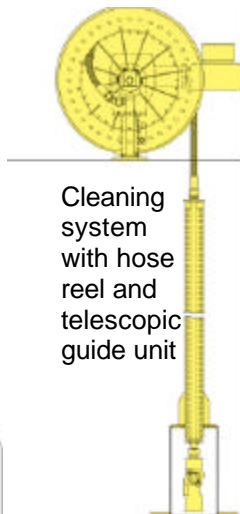
Cleaning system with hose guide and swivel positioning unit



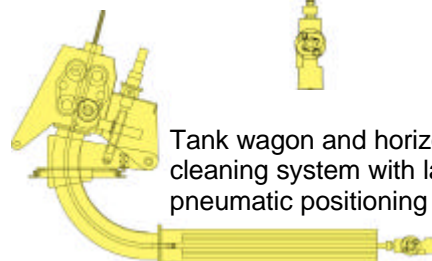
Cleaning system with manual positioning unit



Cleaning system with hose reel



Cleaning system with hose reel and telescopic guide unit



Tank wagon and horizontal tank cleaning system with lance and pneumatic positioning unit

06/03 © Copyright Hammelmann Maschinenfabrik GmbH, Oelde, Germany. Subject to modification

**Hammelmann Corp.** 600 Progress Road Tel. 937 859 8777  
 Dayton, Ohio 45449 Fax 937 859 9188  
 mail@hammelmann.com www.hammelmann.com

